

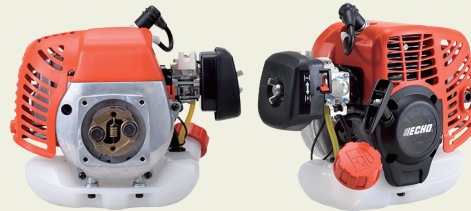
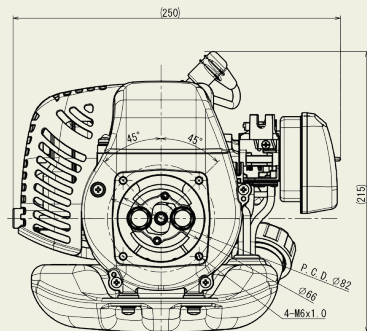
# ECHO<sup>®</sup>

## POWERED



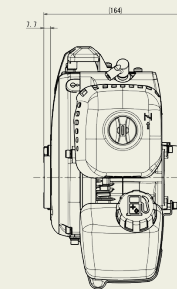
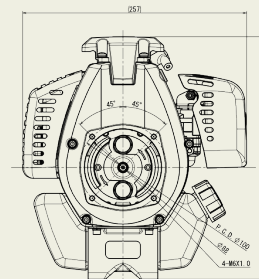
### YE26S

YE26S 25.4 cm<sup>3</sup> professional grade 2-stroke engine. It is compatible with trimmers and sprayers.



### YE46B

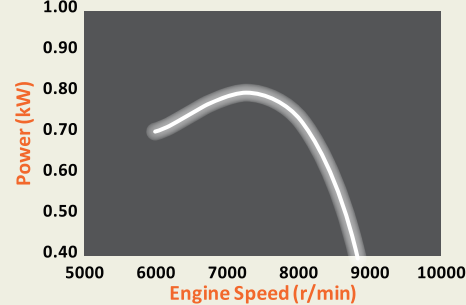
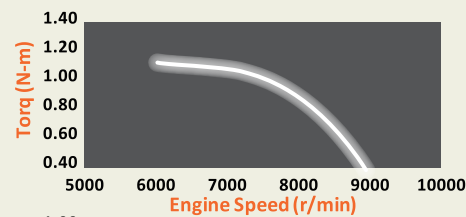
YE46B is 45.7 cm<sup>3</sup> professional grade 2-stroke engine. It is compatible with trimmers and brushcutters.



#### SPECIFICATIONS

Bore Stroke (mm)	34 x 28
Displacement (cm <sup>3</sup> )	25.4
Max Output (kW/ps)	0.8 / 1.1
Dry Weight (kg)	2.6
Fuel Consumption at max output (L/h)	0.59
Fuel	Unleaded Fuel
Fuel Tank Capacity (L)	460
Ignition	CDI
Carburetor	Diaphragm
Air Cleaner	Felt
Starting	Recoil
Clutch	Centrifugal
Clutchdrum Diameter	φ54
Engine Stand	-
Emission Compliant	-

#### POWER CURVE



#### SPECIFICATIONS

Bore Stroke (mm)	42 x 33
Displacement (cm <sup>3</sup> )	45.7
Max Output (kW/ps)	1.7 / 2.3
Dry Weight (kg)	4.0
Fuel Consumption at max output (L/h)	1.4
Fuel	Unleaded Fuel
Fuel Tank Capacity (mL)	950
Ignition	CDI
Carburetor	Diaphragm
Air Cleaner	Felt
Starting	Recoil
Clutch	Centrifugal
Clutchdrum Diameter	φ78
Engine Stand	Standard
Emission Compliant	-

#### POWER CURVE

